

OLA SERIES

- Exterior LED surface mounted wall lights
- Input voltage: 100-240V AC 50/60Hz
- Inbuilt Constant Current driver included
- Housing & heatsink: aluminium
- Diffuser: UV resistant PC
- Back plate: aluminium
- LED chips: 48pcs 2835
- Ambient temperature: -20 to 50°C
- Not suitable for dimming
- Suitable for 2 way switching
- Suitable for use with PIR sensor



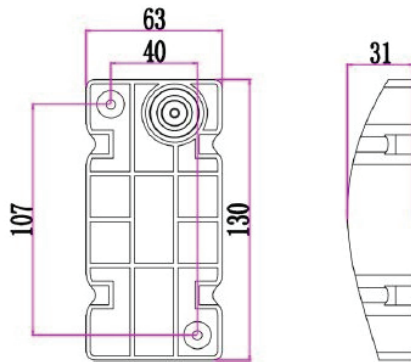
Part No.	OLA01 & OLA02
Description	WALL LED S/M Dark Grey / WH Wavy Rectangle
Material	Aluminium & PC
Kelvin	3000K
Lumens	509lm
Wattage	7W
LED chips	48PCS 2835
Power factor	>0.8
CRI	>80
Dimensions	Please see line drawings
Back plate	130x63x31mm
Weight	0.6kg
Box	28x9x6cm
Carton QTY	1/12



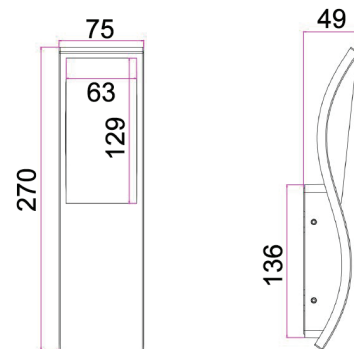
OLA01
(Dark grey)



OLA02
(White)



Back plate line drawing



Line drawing