

# NAVEGAR SERIES

Interior E14 Tripod Modern Floor Lamps

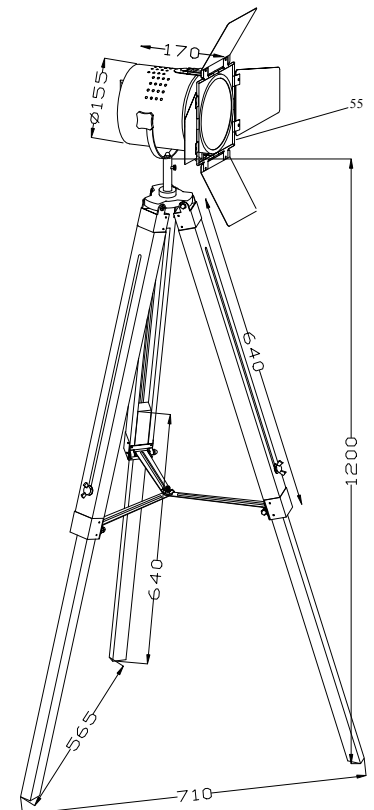


- Material: iron, metal & wood
- Lamp holder: E14 (Max.25W HAL)
- Globe not included
- Flex & plug: 3500mm with inline switch
- For indoor use only



Part No.	NAVEGAR1, NAVEGAR2
Description	FLOOR LAMP SES TRIPOD
Material	iron,metal & wood
Lamp Holder	1XE14 (Max.25W HAL)
Dimensions	see line drawings
Flex & Plug	3500mm with inline switch
Weight	Shade: 1.55kg; Base: 2.1kg
Box	Shade: 22x23x23cm; Base: 13x12x81cm
Carton QTY	1/4

NOTE: Supplied in 2 box.



UPDATED ON 10.10.2018