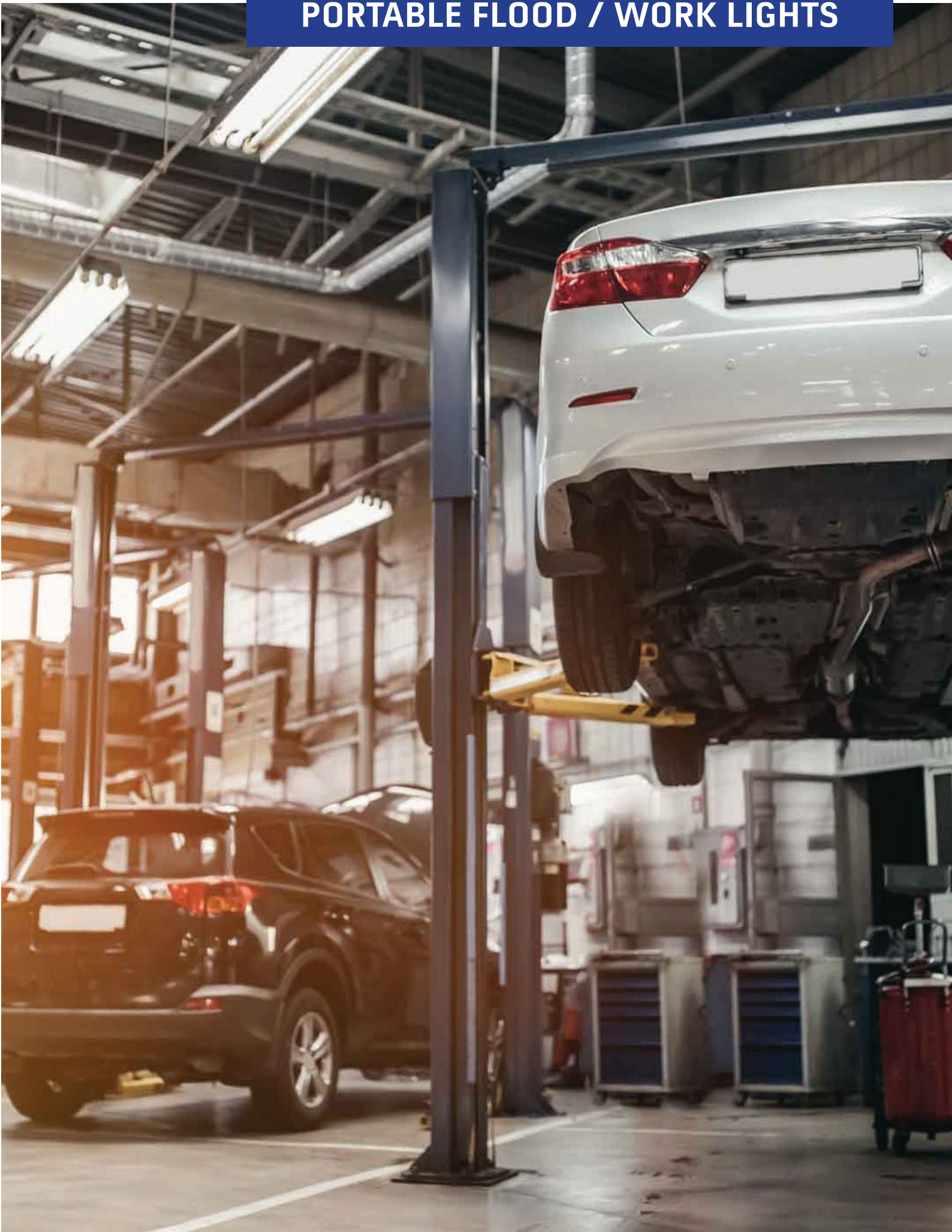


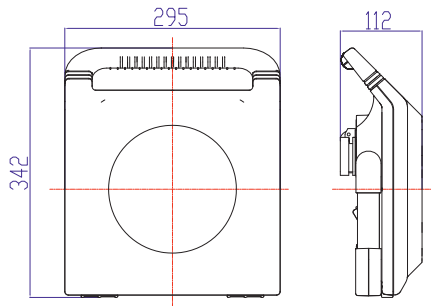
PORTABLE FLOOD / WORK LIGHTS



ZEUS

- LED portable flood light
- Input voltage: 240V AC 50/60hz
- Output voltage/ current: 27-30V/ 1.4-1.6A
- Housing: aluminium
- Diffuser: glass
- LED chips: 90pcs SMD 2835
- Power factor: ≥ 0.9
- **(New Feature)** 2 sockets included at the rear of fitting for other electrical equipment. (Electrical summation of these 2 sockets must be less than 10A)
- Ambient temperature: -20 to 45°C
- Not suitable for dimming
- IP rated flex & plug attached (L: 3m)

 30,000hr Lifetime	 110° Beam Angle	IP54 Rated	IK08 Rated	3YEAR Replacement Warranty
--	--	----------------------	----------------------	---



HIGH LUMENS

2 SOCKETS



Part No.	Description	Kelvin	Lumens	Watt	CRI	Dimensions	Carton QTY
ZEUS	PORTABLE LED FLOOD / Worklight BLACK	6500K	5000lm	50W	80	295x342x112mm	1/4

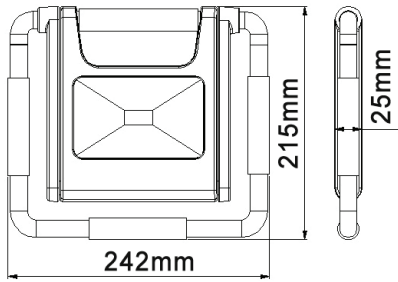
Applications:



MANTIS

- LED rechargeable, portable flood/ work light
- Input voltage range: 100-240V AC 50/60Hz
- LED chips: SMD 2835
- Power factor: 0.5
- Housing: aluminium die casting
- Bracket: metal
- Diffuser: toughened glass
- Surface treatment: powder coating
- Adaptor/ car charger included
- Li-ion battery life: 2-3 hours
- Ambient temperature: -20 to 40°C

 30,000hr Lifetime	 120° Beam Angle	IP44 Rated	2YEAR Replacement Warranty
--	--	----------------------	---



Easy to carry and store

Part No.	Description	Kelvin	Lumens	Watt	CRI	Dimensions	Carton QTY
MANTIS	PORTABLE Rechargeable GREEN FLOODLIGHT LED	6500K	600lm	10W	70	242x215x25mm	1/10

Applications:

