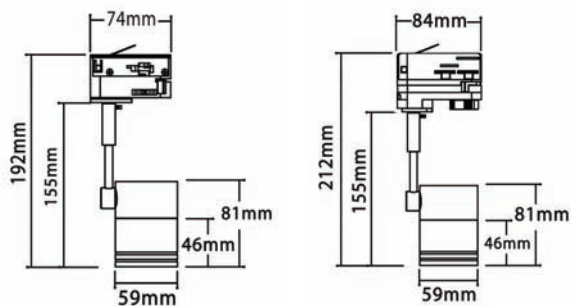


CONNECTABLE TRACK SYSTEMS



GU10 TRACK HEADS

- Interior GU10 track lamps
- Input voltage: 240V AC 50/60Hz
- GU10 lamp holder
- Max.10W LED or 35W halogen globe
- Construction material: aluminium alloy
- Globe not included
- Available in black or white fittings
- 4 wire/3 circuit 1m & 2m track & accessories available only
- Track can be hung from ceiling with suspension cable (Not included in CLA range)



TRKW1G001, TRKB1G001

TRKW3G001, TRKB3G001

Part No.	Description	Lamp Holder	Carton QTY
TRKB1G001	1 Circuit GU10 TRACK HEAD BLK IP20 (Suitable for Universal Track)	GU10	1/50
TRKW1G001	1 Circuit GU10 TRACK HEAD WH IP20 (Suitable for Universal Track)	GU10	1/50
Track to be purchased separately elsewhere for TRKB1G001 & TRKW1G001			
TRKB3G001	4 WIRE 3 Circuit GU10 TRACK HEAD BLK IP20	GU10	1/50
TRKW3G001	4 WIRE 3 Circuit GU10 TRACK HEAD WH IP20	GU10	1/50
Tracks are available in CLA for TRKB3G001 & TRKW3G001			

Applications:



LED TRACK HEADS

- Interior LED track heads
- Input voltage range: 220-240V AC 50/60Hz
- Housing: polycarbonate gear box, die-cast aluminium
- On/off switch on head to switch individually
- LED chips: Edison HM24 COB LED
- Power factor: 0.9
- CRI: >80
- Suitable for dimming, triac dimmable driver included
- Track can be hung from ceiling with suspension cable (Not included in CLA range)

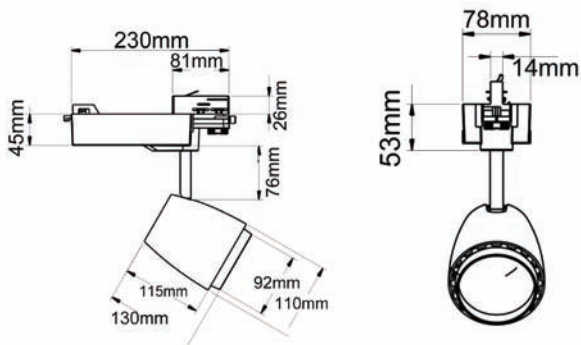

30,000hr
Lifetime


35°
Beam Angle

IP20
Rated

3YEAR
Replacement
Warranty


DIMMABLE



TRKBLH



TRKWHH

Tested & Recommended Dimmers:

Brand	Part No.	PCS per Dimmer
Clipsal - Universal	32E450UDM	1-3PCS
Clipsal - Universal	32E450TM	
HPM - Trailing Edge	CAT400T	

Part No.	Description	Kelvin	Lumens	Watt	CRI	Carton QTY
TRKBLHDW	4 WIRE 3 Circuit LED TRACK HEAD BLK	3000K	2172lm	30W	>80	1/8
TRKBLHDN	4 WIRE 3 Circuit LED TRACK HEAD BLK	5000K	2242lm	30W	>80	1/8
TRKWHDW	4 WIRE 3 Circuit LED TRACK HEAD WH	3000K	2172lm	30W	>80	1/8
TRKWHDN	4 WIRE 3 Circuit LED TRACK HEAD WH	5000K	2242lm	30W	>80	1/8

4 WIRE/ 3 CIRCUIT TRACK & ACCESSOIRES

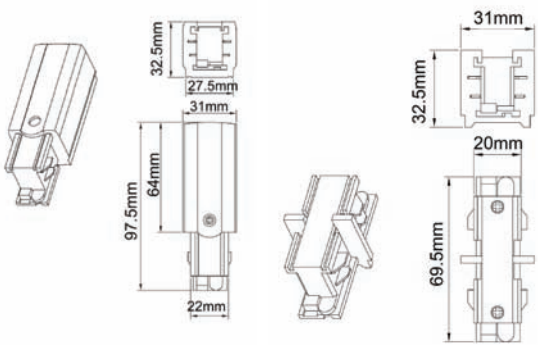


TRKBL1M/2M

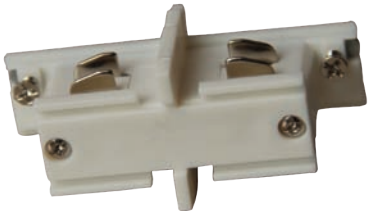
TRKWH1M/2M



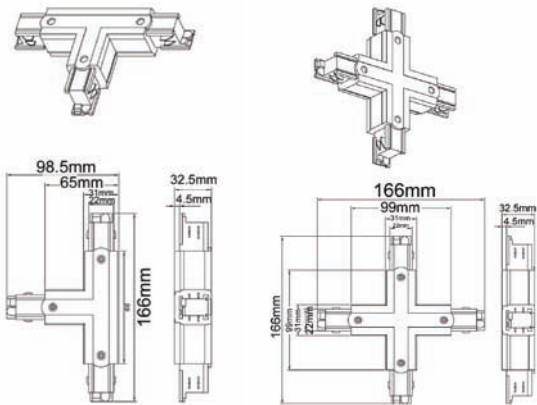
Track can be hung from ceiling with suspension cable (Not included in CLA range)



TRKBLCN1



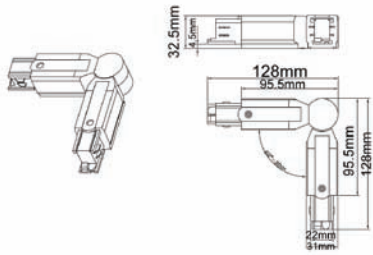
TRKWHCN2



TRKBLCN3



TRKWHCN4



TRKBLCNL



TRKBLKENDCAP

Part No.	Description	Carton QTY
TRKBLKENDCAP	4 WIRE 3 Circuit TRACK DEAD END CAP FOR TRK SERIES BLACK	1/50
TRKBL1M	4 WIRE 3 Circuit TRACK 1M BLK (incl LIVE TRKBLCN1 & DEAD END TRKBLKENDCAP)	1/20
TRKBL2M	4 WIRE 3 Circuit TRACK 2M BLK kIT (incl LIVE TRKBLCN1 & DEAD END TRKBLKENDCAP)	1/20
TRKBLCN1	4 WIRE 3 Circuit TRACK LIVE END CAP BLK	1/196
TRKBLCN2	4 WIRE 3 Circuit TRACK CONNECTOR BLK	1/200
TRKBLCN3	4 WIRE 3 Circuit TRACK T-PIECE JUNCTION BLK	1/56
TRKBLCN4	4 WIRE 3 Circuit TRACK CROSS-PIECE JUNCTION BLK	1/42
TRKBLCN5	4 WIRE 3 Circuit TRACK Straigh Joiner with Live Connection BLK	1/100
TRKBLCNL	4 WIRE 3 Circuit TRACK 90 D ELBOW JOINER BLK	1/75
TRKWHENDCAP	4 WIRE 3 Circuit TRACK DEAD END CAP FOR TRK SERIES WHITE	1/50
TRKWH1M	4 WIRE 3 Circuit TRACK 1M WH (incl LIVE TRKBLCN1 & DEAD END TRKBLKENDCAP)	1/20
TRKWH2M	4 WIRE 3 Circuit TRACK 2M WH kIT (incl LIVE TRKBLCN1 & DEAD END TRKBLKENDCAP)	1/20
TRKWHCN1	4 WIRE 3 Circuit TRACK LIVE END CAP WH	1/196
TRKWHCN2	4 WIRE 3 Circuit TRACK CONNECTOR WH	1/200
TRKWHCN3	4 WIRE 3 Circuit TRACK T-PIECE JUNCTION WH	1/56
TRKWHCN4	4 WIRE 3 Circuit TRACK CROSS-PIECE JUNCTION WH	1/42
TRKWHCN5	4 WIRE 3 Circuit TRACK Straigh Joiner with Live Connection WH	1/100
TRKWHCNL	4 WIRE 3 Circuit TRACK 90 D ELBOW JOINER WH	1/75