

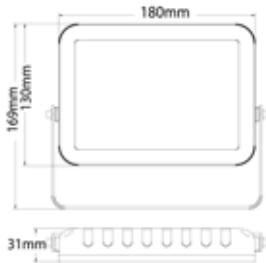


Flood Lights

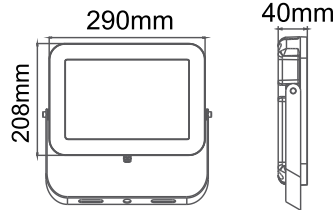
TABLET

- LED slim flood lights
- Input voltage range: 100-265V AV 50/60Hz
- Housing: die casted aluminium
- Bracket: iron
- LED type: SMD2835
- Power factor: 0.9
- Flex & plug: 1200mm
- Ambient temp: -20 to 40°C
- Suitable for PIR or Microwave sensors

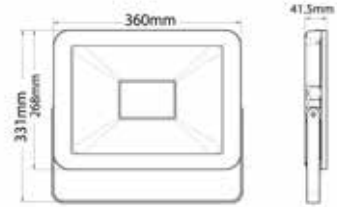
 25,000hr Lifetime	IP65 Rated	2YEAR Replacement Warranty
---	----------------------	---



TABLET2A



TABLET7A



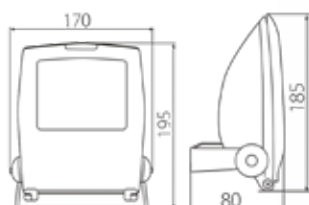
TABLET9A



Part No.	Description	Kelvin	Lumens	Watt	CRI	Beam Angle	Carton QTY
TABLET2A	FLOOD LED MATT BLK SLIM 5000K 30W	5000K	2100lm	30W	80	120°	1/16
TABLET7A	FLOOD LED MATT BLK SLIM 5000K 50W	5000K	4000lm	50W	80	110°	1/5
TABLET9A	FLOOD LED MATT BLK SLIM 5000K 100W	5000K	8000lm	100W	80	110°	1/4

FLOOD1

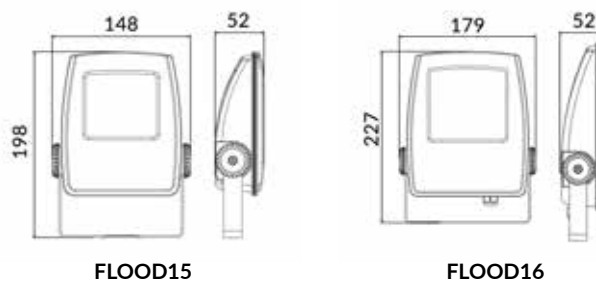
- LED slim flood light
- Input voltage range: 175-265V AC 50/60Hz
- LED chip: 1pc Epistar LED
- Flex & plug: 1500mm
- Power factor: 0.9
- Ambient temp: -40 to 50°C
- Not suitable for dimming
- Suitable for use with sensor



Part No.	Description	Kelvin	Lumens	Watt	CRI	Dimensions	Carton QTY
FLOOD1	FLOOD LED BLK SLIM 5000K 10W IP65	5000K	1000lm	10W	>75	170X185X80mm	1/16

FLOOD15-16

- LED slim flood lights
- Input voltage: 240V 50/60Hz
- Housing: PC
- Bracket: aluminium
- LED chips: SMD 2835 LED
- Power factor: ≥0.9
- Flex & plug not included
- Ambient temp: -20 to 40°C
- Not suitable for dimming
- Suitable for 2-way switching
- Suitable for use with Microwave & PIR sensors



Part No.	Description	Kelvin	Lumens	Watt	CRI	Dimensions	Carton QTY
FLOOD15	FLOOD LED BLK P/C (aluminum bracket) 15W	5000K	1200lm	15W	80	148x198x52mm	1/10
FLOOD16	FLOOD LED BLK P/C (aluminum bracket) 30W	5000K	2200lm	30W	80	179x227x52mm	1/10

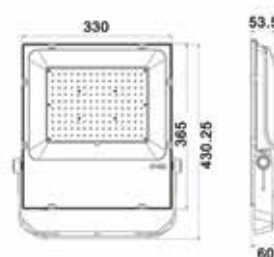


FLOOD22

- LED flood lights
- Input voltage range: 85-265V AC 50/60Hz
- Meanwell constant current driver included
- Housing: powder coated aluminium
- LED chips: 150pcs SMD3030 LED
- Wattage: 150W (=350W MH)
- Power factor: ≥0.9
- Flex & 2 pin plug: 1500mm
- Ambient temp: -20 to 50°C
- Not suitable for dimming
- Suitable for 2-way switching



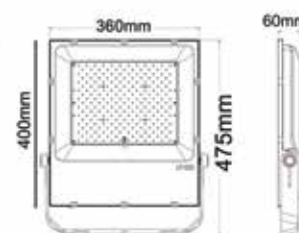
Angled / offset bracket for easy installation



Part No.	Description	Kelvin	Lumens	Watt	CRI	Dimensions	Carton QTY
FLOOD22	FLOOD LED BLK 5000K 150W	5000K	18000lm	150W	75	330x360x60mm	1/1

FLOOD14

- LED flood lights
- Input voltage range: 85-265V AC 50/60Hz
- LED chips: 224pcs SMD3030 LED
- Power factor: 0.95
- Flex & 3 pin plug: 1200mm
- Ambient temp: -20 to 50°C
- Not suitable for dimming
- **IPART & VEET approved**



Angled / offset bracket for easy installation

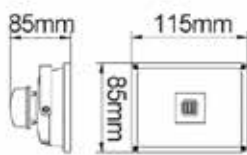
Part No.	Description	Kelvin	Lumens	Watt	CRI	Dimensions	Carton QTY
FLOOD14	FLOOD LED BLK 5000K 200W	5000K	25000lm	200W	70	360x475x60mm	1/1

RGB FLOOD LIGHTS

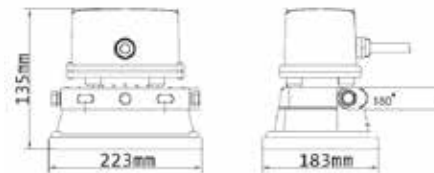
- LED RGB flood lights
- Input voltage range: 85-265V AC 50/60Hz
- Custant current driver included
- Housing: die cast aluminium
- LED chip: 30x30MIL LED
- Power factor: >0.9
- CRI: >70
- Flex & plug: 1200mm
- Infrared remote included (range: see below)
- Ambient temp: -35 to 35°C
- Not suitable for dimming
- Not suitable for 2 way switching
- Suitable for use with PIR/ Microwave sensors



CLA323610RA



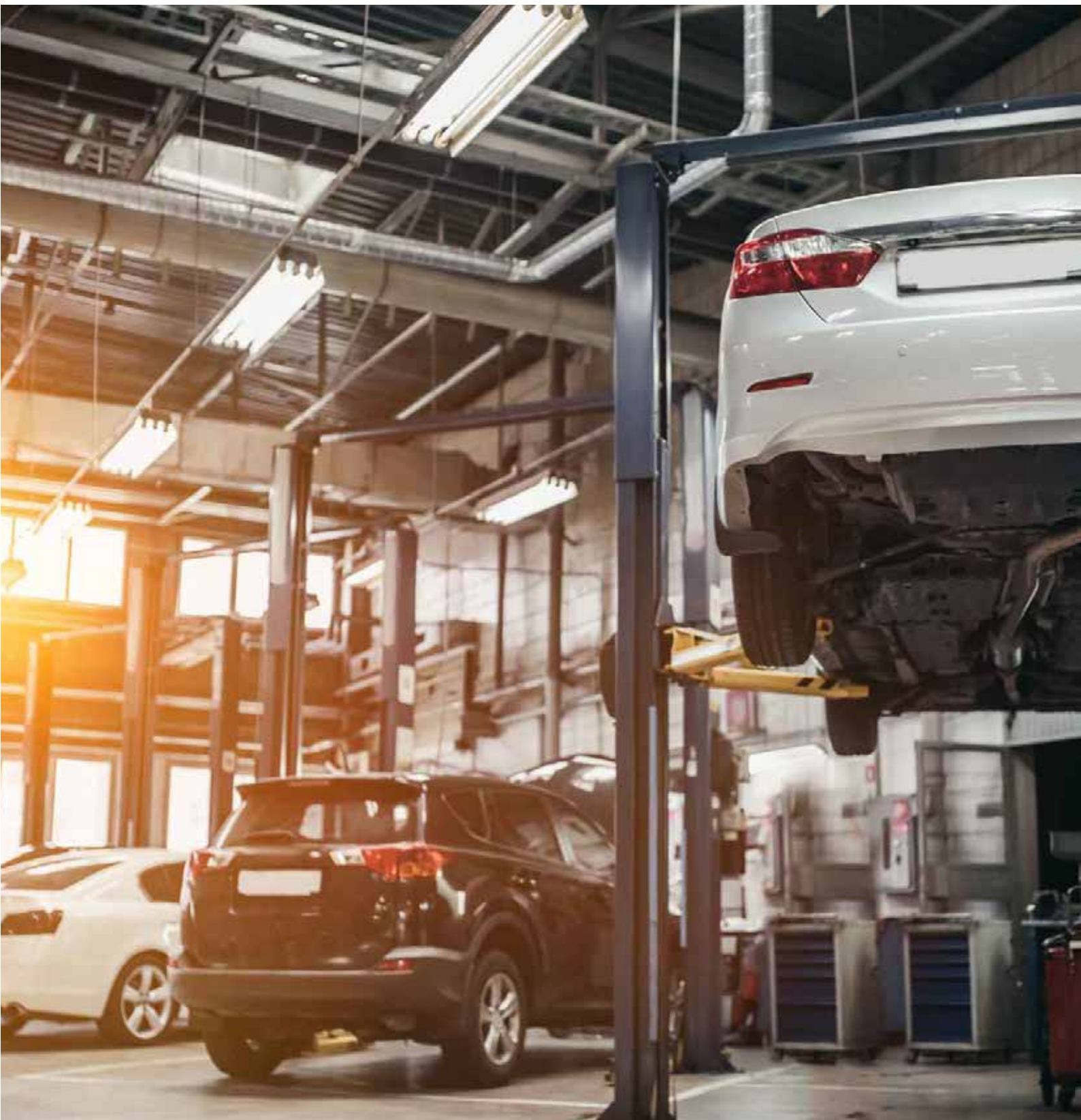
CLA323630R



Memory mode (Will restart on selected colour - except when using fade)
Infrared remote range up to 8m

Memory mode (Will restart on selected colour - except when switched off at wall)
Infrared remote range up to 4m

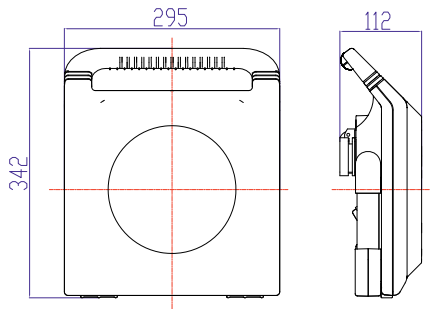
Part No.	Description	Kelvin	Lumens	Watt	CRI	Dimensions	Carton QTY
CLA323610RA	FLOOD LED BLK RGB 10W IP65	RGB	600lm IN WHITE	10W	>70	115x85x85mm	1/18
CLA323630R	FLOOD LED BLK RGB 30W IP65	RGB	1800lm IN WHITE	30W	>70	223x183x135mm	1/4



Portable Flood/Work Lights

ZEUS

- LED portable flood light
- Input voltage: 240V AC 50/60hz
- Output voltage/ current: 27-30V/ 1.4-1.6A
- Housing: aluminium
- Diffuser: glass
- LED chips: 90pcs SMD 2835 LED
- Power factor: ≥ 0.9
- **(New Feature)** 2 sockets included at the rear of fitting for other electrical equipment. (Electrical summation of these 2 sockets must be less than 10A)
- Ambient Temp: -20 to 45°C
- Not suitable for dimming
- IP rated flex & plug attached (L: 3m)



HIGH LUMENS



2 SOCKETS

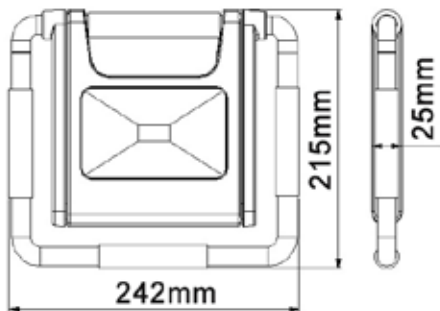


Part No.	Description	Kelvin	Lumens	Watt	CRI	Dimensions	Carton QTY
ZEUS	PORTABLE LED FLOOD / Worklight BLACK	6500K	5000lm	50W	80	295x342x112mm	1/4

MANTIS

- LED rechargeable, portable flood/ work light
- Input voltage range: 100-240V AC 50/60Hz
- LED chips: SMD 2835 LED
- Power factor: 0.5
- Housing: aluminium die casting
- Bracket: metal
- Diffuser: toughened glass
- Surface treatment: powder coating
- Adaptor/ car charger included
- Li-ion battery life: 2-3hrs
- Ambient temp: -20 to 40°C

30,000hr Lifetime	120° Beam Angle	IP44 Rated	2YEAR Replacement Warranty
-------------------	-----------------	----------------------	--------------------------------------



Easy to carry and store

Part No.	Description	Kelvin	Lumens	Watt	CRI	Dimensions	Carton QTY
MANTIS	PORTABLE Rechargeable GREEN FLOODLIGHT LED	6500K	600lm	10W	70	242x215x25mm	1/10

